

# INSTRUCTION MANUAL XMT-612

**POSSENTI HEAT**

[www.possentiheat.weebly.com](http://www.possentiheat.weebly.com)

Tel. 664 864 8666

664 204 8592

EMAIL: [possentiheat@yahoo.com](mailto:possentiheat@yahoo.com)



Figure 1.

## 1. Product Highlight

Thermocouple: T, R, J, B, S, K, E, Wre3-Wre25.

Thermo Resistor: Pt100, Cu50.

1 Relay output,

1 Relay output with PID, and

1 SSR output with PID to control external SSR.

Time proportional PID controlled output to either a Relay output or the SSR control output.

New built-in algorithms that let you fine tune (Atdu) to fit most of control objects and various applications.

Temperature can be set to display in either Fahrenheit or Celsius.

## 2. Specifications

Operating supply voltage: AC20-265V or DC20-360V.

Power consumption:  $\leq$  2 Watt.

Sampling speed: 4/sec.

SSR activated voltage: open circuit: 8V; short circuit: 40mA.

Accuracy: 0.2% of full scale.

LED Display: 0.28 inch; Red color.

Out of range indication: "EEEE".

Ambient temperature requirement: 0~+50 Deg C.

Humidity requirement:  $\leq$  85% RH.

Relay Contact volume: AC220V / 3A.

Controller dimension: 48x48x82(mm).

Opening for installation: 45x45(mm).

### 3. Panel Illustrations and Descriptions

**POSSENTI HEAT**  
[www.possentiheat.weebly.com](http://www.possentiheat.weebly.com)  
 Tel. 664 864 8666  
 664 204 8592



Figure 2.

- 1 -- AL1, relay J1 indicator.
- 2 -- AL2, relay J2 indicator.
- 3 -- AT, blanking during auto tuning process.
- 4 -- Out, output indicator.
- 5 -- Setting / Confirm.
- 6 -- Digit select / Auto tuning.
- 7 -- Select next parameter / value increment.
- 8 -- Selection previous parameter / value decrement.
- 9 -- Target value.
- 10-- Current value.

### 4. Parameter Setting

- i Press (SET) to enter setting mode, enter "0089", then press (SET) again.
- ii Press (v) and/or (^) and then (SET) to select parameters.
- iii Press (SET) to confirm entry or to select
- iv Press (^) to until "End" appear in red display to exit parameter setting loop.

a) Initialization parameter setting loop.

Table 1. Initialization Parameters:

Symbol	Description	Range	Default	Comment
Inty	Temp. sensor	See table 2	Pt10.0	
Outy	Method of controlled output	0,1,2	2	Note 1
Atdu	AT skew	0-200	10	Note 2
PSb	Temp sensor error correction coefficient	-1000~1000 deg C	0	
Rd	Heating=0;Cooling=1	0,1	0	
CorF	Celsius=0;Fahrenheit=1	0,1	0	
End	Exit			

Table 2. Temperature Sensor Type:

Symbol	Description	Range	Comment
T	T Thermocouple	-200 ~ 4000	Internal Resistant 100k
R	R Thermocouple	-50 ~ 1600	Internal Resistant 100k
J	J Thermocouple	-200 ~ 1200	Internal Resistant 100k
WRe	WRe Thermocouple	0 ~ 2300	Internal Resistant 100k
B	B Thermocouple	350 ~ 1800	Internal Resistant 100k
S	S Thermocouple	-50 ~ 1600	Internal Resistant 100k
K	K Thermocouple	-200 ~ 1300 C -328 ~ 2372 F	Internal Resistant 100k
E	E Thermocouple	-200 ~ 900	Internal Resistant 100k
P10.0	P100 Thermo Resistor	-200.0 ~ 600.0	Constant Output 0.2mA
P100	Pt100 Thermo Resistor	-200 ~ 600	Constant Output 0.2mA
Cu50	Cu50 Thermo Resistor	-50.0 ~ 150.0	Constant Output 0.2mA

**Note 1:**

0: Relay J1 and J2 as Alarm outputs; SSR Disabled, normally used for upper/lower limits alarm trigger control.

1: Relay J1 alarm output; Relay J2 PID controlled output and SV, AH2, AL2 values are not used; SSR control output disabled.

2: Relay J1 and J2 as alarm outputs; SSR PID controlled 8V output.

**Note 2:**

This controller has improved algorithms to prevent over calibration during auto-tuning. Atdu is the lower skew parameter during AT process.

### Initial I z a t i o n p a r a m e t e r s e t t i n g

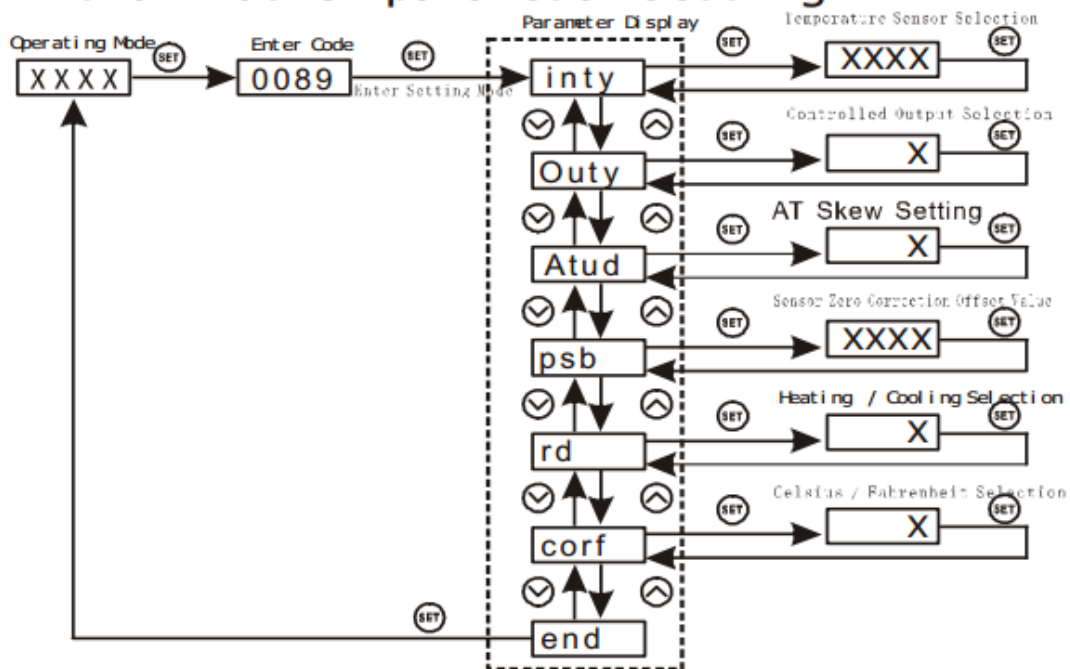


Figure 3.

b) To enter PID parameter setting mode press (SET), then enter code "0036", press (SET) again.

Table 3. PID and Relevant Parameters:

Symbol	Description	Range	Default	Comment
P	Proportional Band	0.1 ~ 99.9 (%)	5.0	Note 4
I	Integration Time	2 ~ 1999 (Sec)	100	Note 5
D	Diffenciation Time	0 ~ 399 (Sec)	20	Note 6
SouF	Overshoot Suppression Coefficient	0.0 ~ 1.0	0.2	Note 7
Ot	Control Period	2 ~ 199 (Sec)	2	Note 8
Filt	Digital Filtering Strength	0 ~ 3	0	Note 9
End	Exit			

P, I and d parameters control the accuracy and respond time of the temperature controller. Auto-tuning is recommended for user who do not familiar PID control theory. P, I and d values should only be adjusted by professionals.

**Note 4**

Proportional Band (P): When P increases, fluctuation of object being controlled decreases. When P decreases, fluctuation of object being controlled increases. When P value is too small, system may become non-converge.

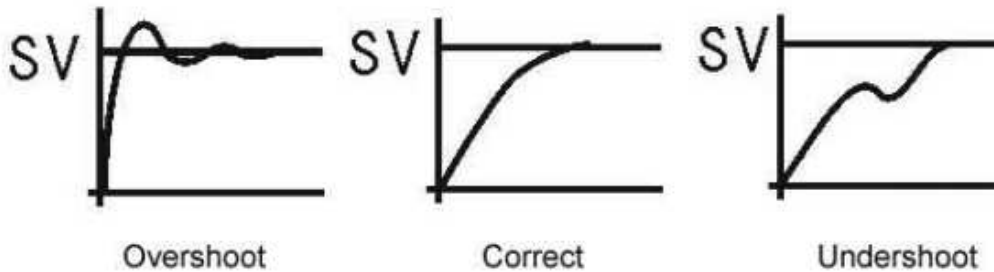
**Note 5**

Integration time (I): its purpose is to reduce static error. When I decrease, respond speed is faster but system is less stable. When I increase, respond speed is slower, but system is more stable.

**Note 6**

Differentiation time (d): its purpose is to control in advance and compensate delay. Setting d-value too small or too large would decrease system stability, oscillation or even non-converge.

**Note 7**



Overshoot suppression coefficient. When overshoot exists, increase SouF. When undershoot exists, decrease SouF.

**Note 8**

Control Period (ot): When ot gets smaller, heating/cooling cycle is driven faster, system respond speed is faster. But when using contact control (Relays), contacts wear out faster. When contact control (Relay) is used, normally set ot=5~15. When non-contact control (SSR) is used, normally set ot=2.

**Note 9**

Digital Filtering (Filt): Filt=0, filter disabled; Filt=1, weak filtering effect; Filt=3, strongest filtering effect; Stronger the filtering, more stable the readout, but has more readout display delay.

c) To enter temperature and alarm parameter setting mode press (SET), then enter code "0001", press (SET) again.

Table 4. Temperature Setting and Alarm Related Parameters:

Symbol	Description	Range	Default	Comment
SV	Target Temperature	With testing range	80.0	
AH1	Relay Closed	With testing range	80.0	
AL1	Relay Opened	With testing range	90.0	
AH2	Relay Closed	With testing range	80.0	
AL2	Relay Opened	With testing range	90.0	
End	Exit			

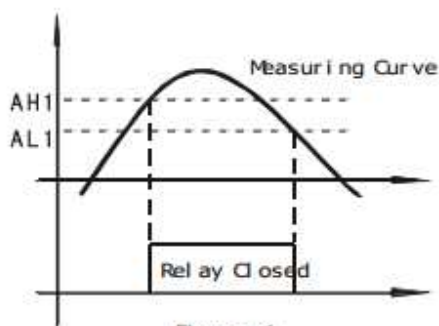


Figure 4

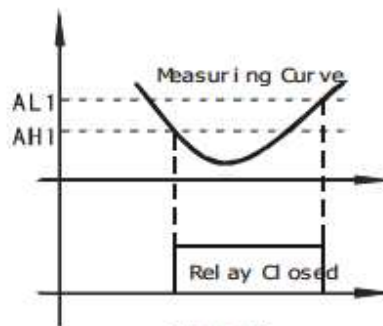


Figure 5

d) During Normal Operation mode, pressing (^) or (v), the display would show SV. Press (^) or (v) again increase or decrease SV by 1 degree.

a) Set AH1=AL1, relay is disabled.

b) Set AH1>AL1 (or AH2>AL2): Normally used for upper limit alarm trigger. See Figure 4.

c) Set AH1<AL1 (or AH2<AL2): Normally used for lower limit alarm trigger. See Figure 5.

**5. Auto-Tuning**

By simply press a single button the built-in artificial intelligent is activated to automatically calculate and set parameters (P,I,d,SouF,ot) that fit the condition to be controlled.

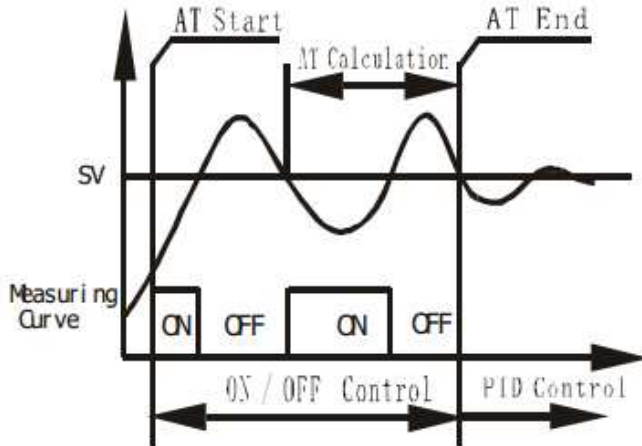


Figure 6.

a) How to Start and stop auto-tuning process:

- i. To activate auto-tuning, press and hold (>) until "AT" indicator blinks, which indicates auto-tuning is in progress. When auto-tuning finish, "AT" indicator is off. Now newly calculated PID parameters are remembered and start to be used.
- ii. To EXIT during auto-tuning process, press and hold (>) until "AT" indicator turns off. Then previous PID parameters values are resumed.

## 6. Connection Terminals (back view).

Polarity of power at terminal 1 and 2 do not matter

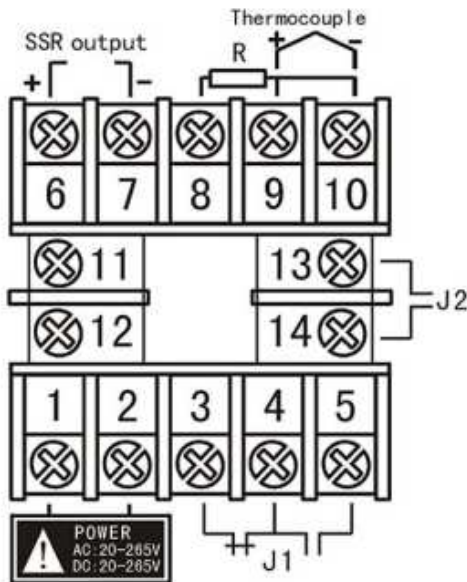


Figure 7.

## 7. Device Application Example

User want to control temperature (T) of furnace, 0 ~ 1000 deg Celsius sensor range is required. Furnace is to be maintained at 800 deg C. Alarm1 will go off if T>850 deg C, and

Alarm2 will go off if  $T < 750$  deg C. System power supply is AC110V. Installation opening is 45x45(mm). SSR will be used to control the heating element.

a) Choose VTC-620 with K-type thermocouple.

b) See figure for connection diagram.

c) Parameter setting:

(Inty)=K; (SV)=800 deg C;

(outy)=2; (AH1)=850 deg C;

(Atdu)=10; (AL1)=848 deg C;

(psd)=0; (AH2)=750 deg C;

(rd)=0; (AL2)=752 deg C;

(CorF)=0;

(auto-tuning is used to set PID parameters)

d) Power up the controller. Keep pressing (>) to activate auto-tuning. When "AT" stop blinking, new PID parameters are generated for the new system. The controller is in normal operation mode controlling the furnace temperature at 800 deg C.

## INSTRUCTION MANUAL XMT-612

**POSSENTI HEAT**  
[www.possentiheat.weebly.com](http://www.possentiheat.weebly.com)  
Tel. 664 864 8666  
664 204 8592

EMAIL: [possentiheat@yahoo.com](mailto:possentiheat@yahoo.com)